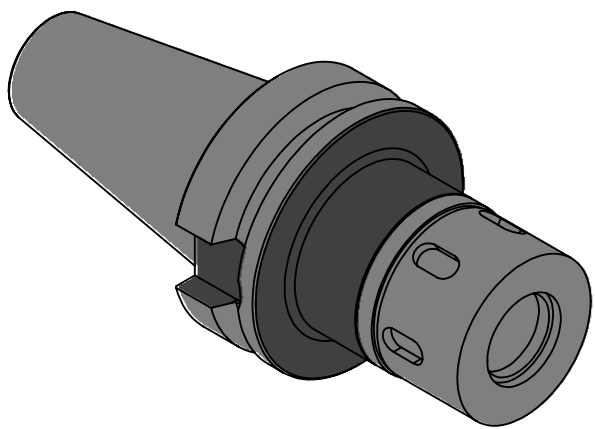
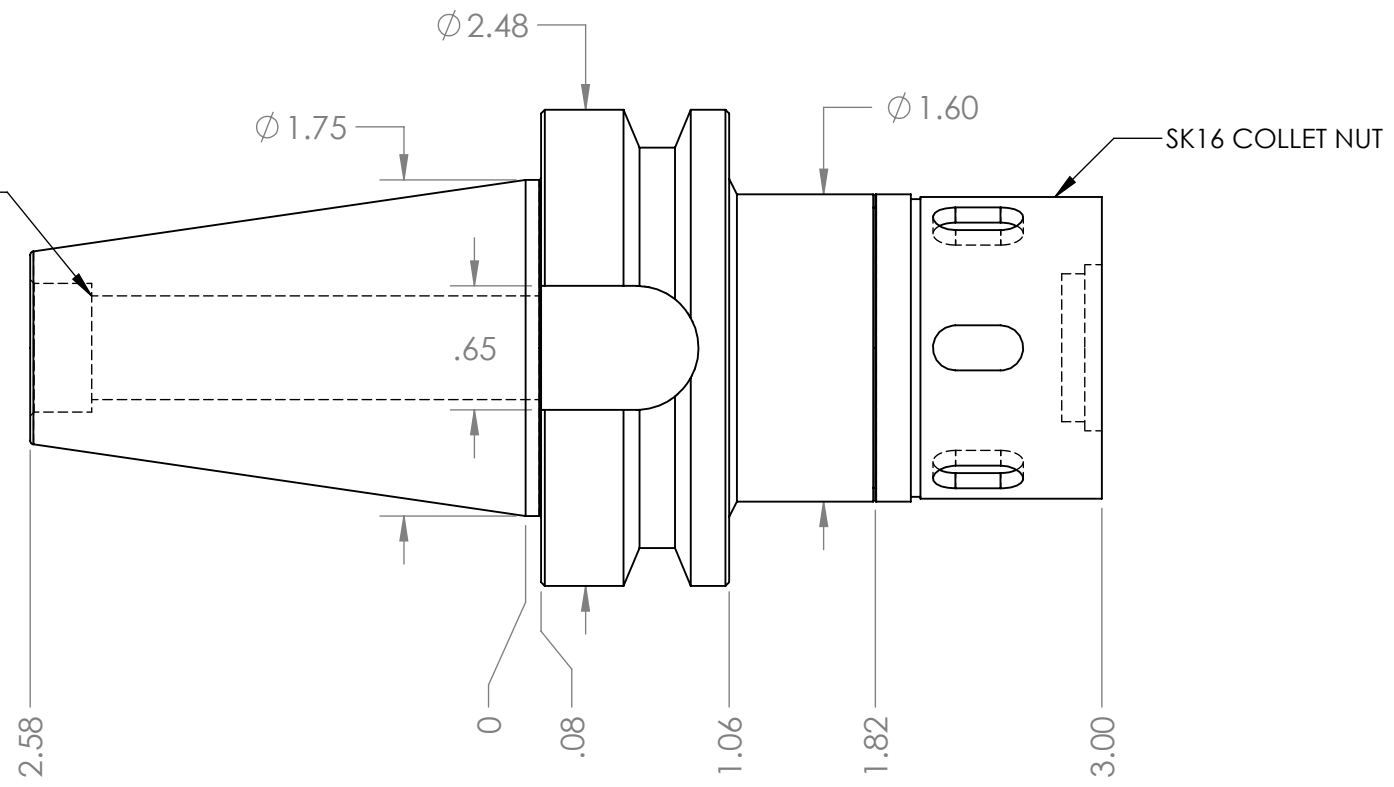


M16 x 2.0 THREAD x 1.25 DEEP
C'BORE DIA .670 x .320 DEEP



NOTES:
WORKS ON ALL BT40 MACHINES
ACCEPTS ALL SK16 COLLETS
USES WRENCH PART # ER25-BWRENCH (NOT INCLUDED)
FOR MORE PRODUCT DETAILS PLEASE GO TO MARITOO.COM
AND SEARCH ITEM # LISTED ON THIS PRINT

MARITOOOL

WWW.MARITOOOL.COM

ITEM# **BT40 SK16-3.0**

Made in USA